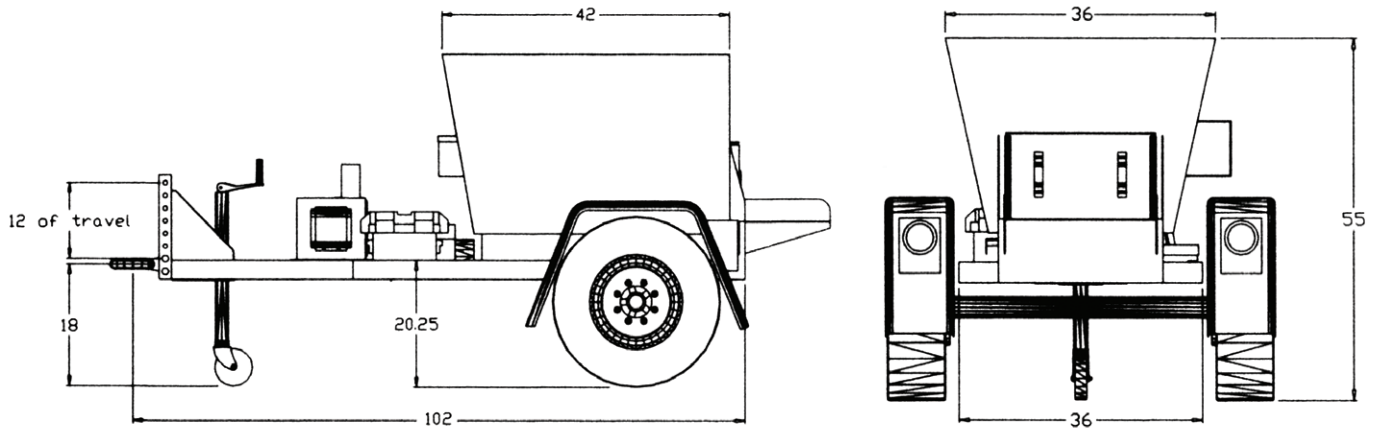


1 TON MINI TRAILER



Type	1 Ton Mini Trailer
Capacity	2,000 lbs of material
Base Weight	945 lbs
Weight loaded with material	2,945 lbs
GVWR	3,050 lbs
Fuel Source	Propane
Fuel Capacity	20, 30, or 40 lb tank (tank not included)
Burner Type	80,000 BTU Single vapor draw propane burner w/electronic spark ignition
Number of burners	1
Unloading door	22.5" W x 12.5" H
Loading opening	36" W x 42" L
Width	57"
Length	102"
Height	55"
Construction	10 gauge capping channel Triple wall constructed and fully insulated – air jacketed 7 gauge floor Corner molding (adds structural integrity to the hopper) All wiring external to hopper
Axles	Single axle
Tires	5-bolt wheels w/14" tires
Brakes	Electric brakes with safety breakaway
Hitch	2.5" pintle eye
Paint	Blasted and painted with two coats of epoxy primer and urethane finish
Frame	Tubular steel frame - 3"x2"x11 gauge
Asphalt repair areas	6.3'x6.3'x4" depth (60 potholes 1'x1'x4" depth)
Warranty	Two year machine, lifetime frame

Falcon Asphalt Repair Equipment

2000 Austin Street
Midland, MI 48642
sales@falconrme.com

Phone: (989) 495-9332
Fax: (989) 495-9342
www.falconrme.com

WWW.FALCONRME.COM



1 TON MINI TRAILER

STANDARD:

- Vinyl tarp cover
- Heated shoveling platform
- 12 volt deep cycle battery
- Automatic temperature controller
- Battery charger package
- Conspicuity tape

OPTIONS:

- 7-day timer
- Slow moving vehicle stickers
- Limited options available

All Falcon machines are built with pride in Midland, Michigan. Falcon hot boxes and recyclers give you unparalleled **versatility**. You can **transport cold mix**, keeping it warm during the winter months and making it easier to work with; you can **transport hot mix and keep it hot all day**; and you can **hold hot mix overnight**, keeping it warm for up to 48 hours. You can also **reclaim unused hot mix**, eliminating the waste of good material, and you can **recycle asphalt chunks and millings**. All of this makes Falcon the most versatile machine you can buy for pavement preservation.

THE FALCON ADVANTAGE



Large Unloading Door
For Easy Access



Lifetime Frame
Warranty

Falcon Asphalt Repair Equipment
2000 Austin Street
Midland, MI 48642
sales@falconrme.com

Phone: (989) 495-9332
Fax: (989) 495-9342
www.falconrme.com

WWW.FALCONRME.COM