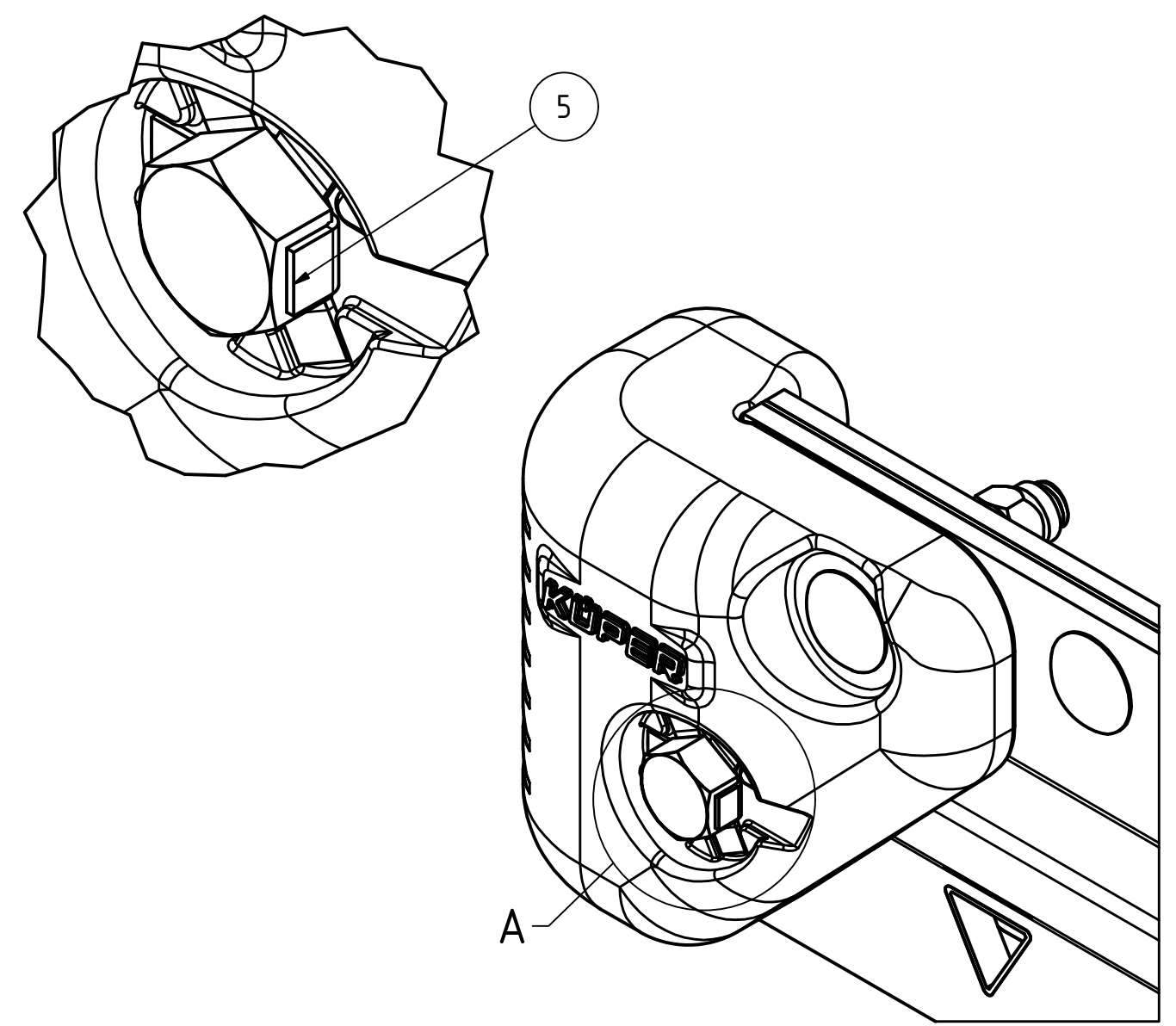


PARTS LIST				
ITEM	QTY	DESCRIPTION	ARTICLE NO.	DRAWING NO.
1		TUCA front plate		
2		TUCA rear plate		
3	1	sleeve	8S0800070	W1832
4	1	curb guard (right)	8S0800074	W1834
5	1	retaining ring	8S0800072	W1836
6	1	bolt ANSI B18.2.1 - 3/4-10 UNC - 3,25		
7	1	bolt ANSI B18.5 - 5/8-11 UNC - 3,5		
8	1	nut IFI 100/107 - 5/8 - 11		

A (1 : 1)



Guard Installation

- 1) Insert sleeve (3) as shown from the rear of the blade (collar facing forward) so that the sleeve sits in the rear plate (2).
- 2) Align the guard on the front plate (1) in the desired location and fix with the 3/4" bolt (6) with 3/4" retaining ring (5).
- 3) Using the 5/8" bolt (7) and nut (8) secure the top hole of the guard as shown.
- 4) Tighten 3/4" Bolt (6) with torque 225 Ft-Lb.
- 5) Tighten 5/8" Bolt (7) with torque 150 Ft-Lb.
- 6) Use a screwdriver or flat punch, fold up the tab (section A) of the 3/4" retaining ring (5) so that it secures the bolt head as shown in drawing (A 1:1).

KUPER	CURB GUARD (RIGHT) INSTALLATION INSTRUCTION AND PARTS LIST	SCALE 1 : 2	A3
		DRAWING NO. W1848	