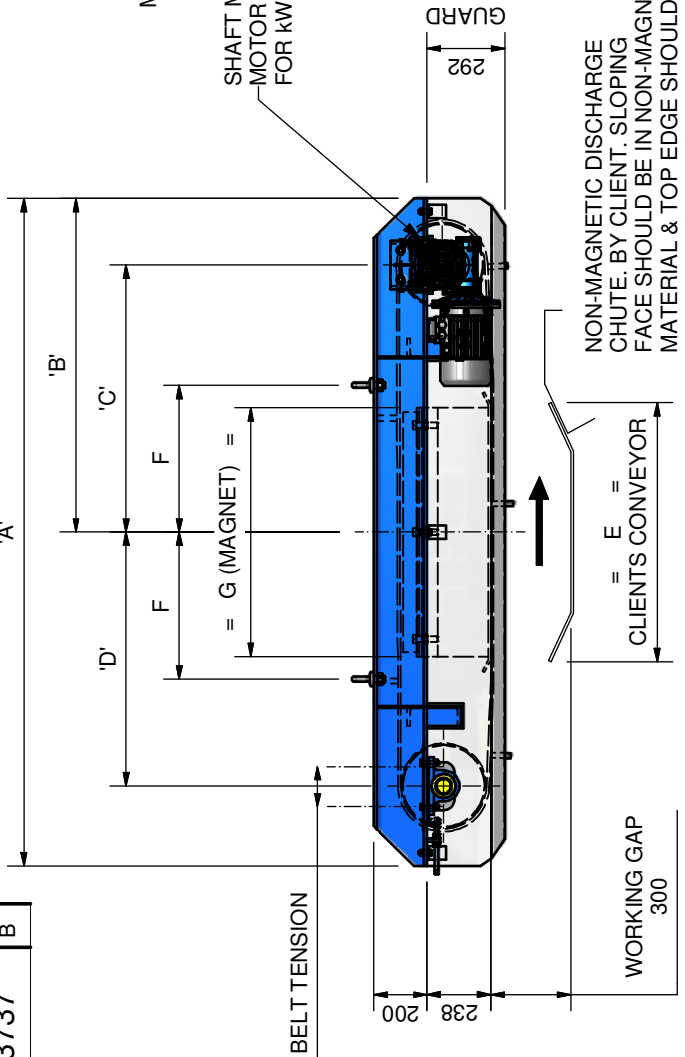


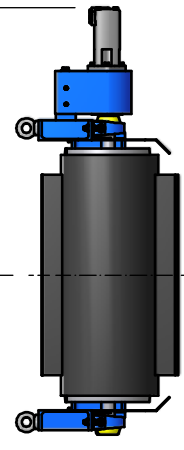
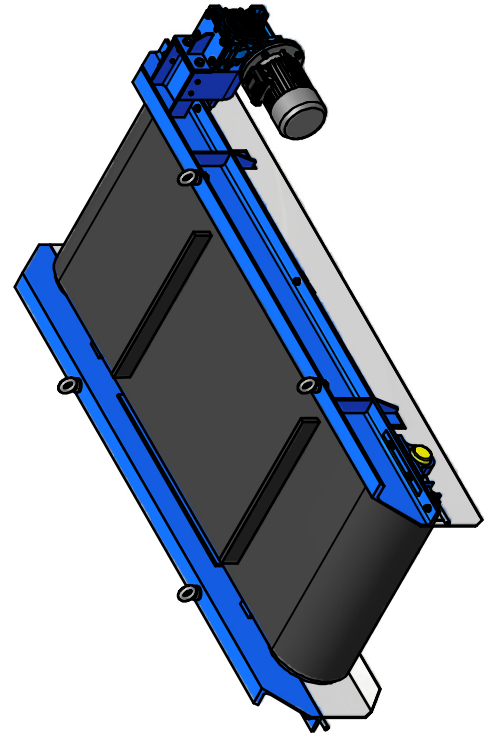
M24 COLLARED EYEBOLT SUSPENSION POINTS.

SHAFT MOUNTED GEARED MOTOR UNIT. SEE TABLE FOR KW RATING.



NOTE: MAGNET SHOULD BE INSTALLED BETWEEN IDLER ROLLERS. ANY IDLER ROLLERS DIRECTLY BENEATH THE MAGNET SHOULD BE OF A NON-MAGNETIC MATERIAL.

1003 HYDRAULIC MOTOR
LOW SPEED, HIGH TORQUE
43 L/Min @ 55 BAR



* In Stock and Ready to Ship. Available in electric (EL) and hydraulic (HD) motors.

MODEL	'A'	'B'	'C'	'D'	'E'	'F'	'G'	WEIGHT	MOTOR
PCB1206K	2500	1250	1000	950	900	550	930	1700 kg	2.2 kW
PCB1207K	2500	1250	1000	950	1000	550	1100	1850 kg	2.2 kW
PCB1208K	2500	1250	1000	950	1200	550	1240	2050 kg	2.2 kW
PCB1209K	3000	1500	1250	1200	1400	800	1390	2350 kg	2.2 kW
PCB1210K	3000	1500	1250	1200	1500	800	1620	2550 kg	3.0 kW
PCB1211K	3000	1500	1250	1200	1600	800	1720	2750 kg	3.0 kW

Mastermag Magnetics Co.
500 S. Spence Rd.
North Moore, Moat
Fleetville, B89 9PA
England

Tel: +1 316-284-2020 Ext. 210
Fax: +1 316-283-4875
revmagdata@burningmagnetics.com
www.burningmagnetics.com

Master Magnetics Ltd.
Burnt Meadow Rd.
North Moore Moat
Fleetville B89 9PA
England

Tel: +1 316-284-2020 Ext. 210
Fax: +1 316-283-4875
revmagdata@burningmagnetics.com
www.mastermagmagnetics.co.uk

SCALE PDF

MATERIAL QUANTITY DATE 11/15/2017

DRAWN MAB CHECKED

TITLE
OUTLINE DRAWING
PCB12 K RANGE
ELECTRIC & HYDRAULIC

PROJECTION A3

ISSUE B

REV	DESCRIPTION	SIGN	DATE
B	AMENDED TO SHOW DESIGN MODIFICATIONS	BTS	04.10

THIS DRAWING AND INFORMATION IS THE PROPERTY OF MASTER MAGNETICS LTD AND MUST NOT BE COPIED, PASSED ON OR RELATED TO A THIRD PARTY WITHOUT WRITTEN PERMISSION.