



# Hydraulic electromagnets

Technical brochure

# Hydraulic electromagnets

Hydraulic electromagnets are the ideal equipment for handling ferrous materials from industrial demolition and are mainly used in demolition and recycling plants or in scrap yards.

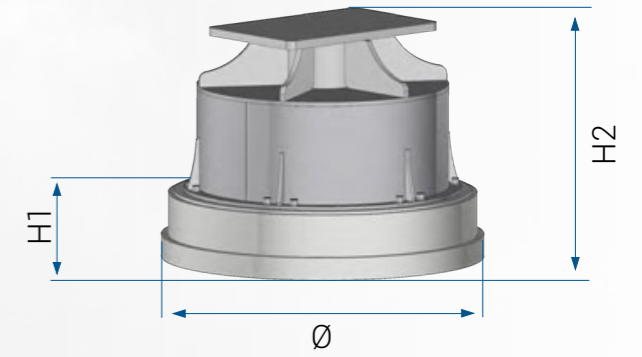
This attachment can be mounted on several machines and vehicles used in demolition sites, such as loaders and excavators, offering an advantage in terms of convenience and efficiency.

Atib Magnetics range includes three types of hydraulic electromagnets: one with teeth, one with plate and one with chain.



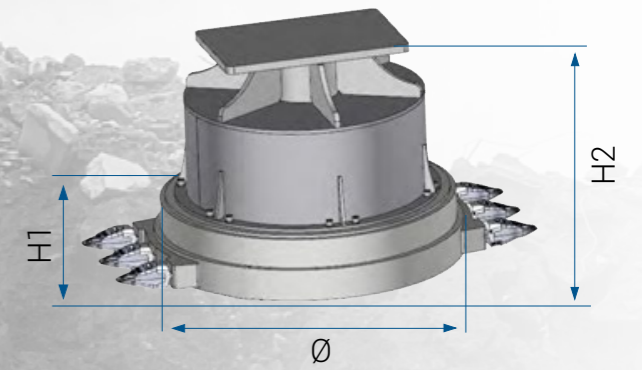
## IC

Hydraulic electromagnets with chain are ideal for scrap cleaning and handling and are mainly used in recycling sites and scrap yards. Generally attached to loaders, they can also be used with excavators and offer the best capacity/weight ratio.



## IP

Hydraulic electromagnets with a plate for quick coupling can be attached without operator's manual intervention and have a more precise positioning on the material, making them extremely efficient. In addition, the plate can be modified/customised according to customer's needs, in order to fit the used machinery. They are typically attached to excavators.



## ID

Hydraulic electromagnets with teeth are mainly used in demolition sites. The teeth are designed to rake debris, making it easier to extract ferrous materials. The teeth are also equipped with a quick fitting device and are easy to replace in case of wear. These electromagnets are equipped with a plate for quick hitch, providing the advantage that they can be attached without manual intervention. They are typically used with excavators and heavy machinery due to their high weight.



MODELS	75IC	75IP	75ID	85IC	85IP	85ID	96IC	96IP	96ID
Machine weight (Ton) min-max	7-15	8-15	8-15	9-16	10-16	10-16	14-20	15-20	15-20
Flow (L/min)	50	50	50	50	50	50	60	60	60
Working Pressure (Bar)	100	100	100	120	120	120	140	140	140
Diameter (mm)	750	750	750	850	850	850	960	960	960
H base (mm)	245	245	245	245	245	245	260	260	260
H including chain/plate (mm)	1200	750	750	1200	750	750	1200	750	750
Power (kW)	2,6	2,6	2,6	3,4	3,4	3,4	4,5	4,5	4,5
Weight (Kg)	520	600	670	750	850	930	1000	1080	1200
Voltage (V)	220	220	220	220	220	220	220	220	220

105IC	105IP	105ID	114IC	114IP	114ID	126IC	126IP	126ID	150IC	150IP	150ID
16-25	17-25	17-25	18-27	20-28	20-28	22-32	24-35	24-35	30-40	30-40	32-45
70	70	70	80	80	80	100	100	100	120	120	120
120	120	120	140	140	140	160	160	160	120	120	120
1050	1050	1050	1140	1140	1140	1260	1260	1260	1500	1500	1500
270	270	270	270	270	270	270	270	270	300	300	300
1350	800	800	1350	800	800	1400	800	800	1450	830	830
5,5	5,5	5,5	6,0	6,0	6,0	7,5	7,5	7,5	12	12	12
1200	1300	1450	1300	1400	1550	1600	1700	1850	2450	2650	2900
220	220	220	220	220	220	220	220	220	220	220	220