

GRADALL® XL 5330 V



RAILWAY
MAINTENANCE
MACHINE



SPECIFICATIONS

Engine

- Volvo TAD571 VE, Tier 4f, 4 cycle, inline 4 cylinder, liquid cooled, electronic controlled
- Vertical canister style lube and main fuel filters and fuel/water separation with manual feed pump attached to engine
- Water in fuel indicator and alarm

Gross Rating: 173 hp @ 2200 rpm (129kW),
590 ft lb torque @ 1100-1500 rpm (800Nm)

Net Rating: 153 hp @ 2200 rpm (114kW)

- Variable viscous fan clutch system
- Vertical stacked hydraulic oil cooler, charge air cooler and radiator
- Block heater

Maximum slope: 30°

- 24 volt starter
- 100 amp alternator
- Two SAE #C31-S 1000 CCA batteries
- Battery switch lockout tagout
- Two-stage air cleaner with high-efficiency pre-cleaner, vacuumator valve, and remote service indicator

Fuel tank capacity: 99 gal (375 L)

Operator Cab

- All-weather cab
- Tinted safety glass windows
- Skylight
- Acoustical lining
- Four-way adjustable seat
- AM/FM radio
- Filtered fresh air heater
- Defroster
- Air conditioning
- Front window slides to overhead storage
- Mirrors on right and left sides
- Seat belt
- Windshield wiper and washer
- High/low beam headlights
- Parking lights
- LED brake lights
- Four-way hazard lights
- LED turn indicator lights
- LED work lights
- LED swing lights
- Axle oscillation lock switch
- FRA spec 360 degree strobe lighting
- Dual air horn
- Front facing air horn

Controls

- Two electronic joysticks (hoist and bucket, telescope and swing)
- One rocker switch (tilt) control
- Joysticks mounted on arm pods
- Quick change joystick pattern switch (Gradall, SAE, Deere)
- Self-centering joysticks and pedals; when controls are released, power for movement disengages and swing and tilt brake set automatically
- Tilting/telescoping steering column
- Hydraulic foot pedal controls braking functions
- Travel speed is regulated with an electronic foot pedal control
- Switch on the FWD/REV selector provides 1st/2nd gear selection
- Independent rocker switches control rail gear, axle oscillation, park brake and hazard lights
- Switch on column provides marker lights, high/low headlights and direction indicators
- AREMA decals

Engine Controls and Instrumentation

- Key ignition/starter switch; throttle and lockable main battery disconnect switch
- Air cleaner condition indicator
- Electronic monitor indicates fuel level, low battery charge, lube oil pressure, high coolant temperature, engine rpm and engine hours
- Fuel saving auto idle feature sends engine rpm to idle when control circuits are in neutral for seven seconds

Boom

- Two piece triangular telescoping boom
- Adjustable boom rollers with eccentric shafts
- 220° boom tilt
- 105° boom pivot angle
- 5th line hose with electric cable
- Aux hydraulics with motor spool
- Cap and plug
- Case drain circuit

Hydraulic System

Pumps

- One load-sensing, axial piston pump; oil flow 0-110 gpm (0-416 L/min)
- Tandem gear pump (steering, brake/pilot) 10 gpm (38 L/min), 6 gpm (23 L/min)

System Monitor

- Electronic monitor in cab
 - Low hydraulic fluid level
 - High hydraulic fluid temperature
 - System working pressure
 - System pilot pressure

SYSTEM SPECIFICATIONS

Six Cylinders

- One tool cylinder: 5.0" ID, 3.0" rod (127 mm x 76 mm), 25.9" (658 mm) stroke
- Two hoist cylinders: 4.75" ID, 3.35" rod (121 mm x 85 mm), 31.0" (787 mm) stroke
- One telescope: 3.75" ID, 2.75" rod (95 mm x 70 mm), 14' (4.27 m) stroke
- Two single-acting axle oscillation cylinders 4.528" ID, 4.528" rod (115 mm x 115 mm), 6.25" (159 mm) stroke

Three Hydraulic Motors

- Swing, 68 hp (51 kW)
- Tilt, 21 hp (16 kW)
- Propel, 113 hp (84 kW)

Operating Pressures:

- Hoist.....4,900 psi (331 BAR)
- Tilt.....2,500 psi (172 BAR)
- Swing.....4,900 psi (331 BAR)
- Tool.....4,900 psi (331 BAR)
- Telescope.....4,900 psi (331 BAR)
- Propel.....4,900 psi (331 BAR)
- Pilot System.....550 psi (38 BAR)
- Braking & Steering.....2,400 psi (165 BAR)
- Rail Gear.....4,000 psi (207 BAR)

Rail Gear Oil Capacity

- Reservoir system 65 gallons (246 L)
- Pressurized reservoir with visual oil level gauges

Filtration System

- 10 micron return filter
- 10 micron pilot filter
- Fin and tube-type oil cooler with thermal by-pass and relief valves
- Pressure-compensated, load-sensing valves with circuit reliefs in all circuits

Undercarriage

- Full-time 4-wheel drive transfer case delivers power from the hydraulic drive motor to the drive axles
- Both axles equipped with internal wet-disc type service brakes
- Steering axle fitted with oscillation lock cylinders
- FRA Spec Travel Lighting and Alarms
- Offset Dual Tire and Rims
- Super singles (optional)

Tires: Continental radial, OI/SO

Axles: ZF Model 3070 (FTF 2090)

Transmission: ZF Model HL 290

Drive Motor: Rexroth A6 Series, 160cc/Rev

Minimum Turning Radius: 25'1" (7.65 m)

Undercarriage Drive

- Variable displacement high torque piston motor powers two-speed power shift transmission
- Speed mode selection can also be done while moving
- Electronically operated travel alarm signals excavator movement

Gradeability

- 58%, limited by engine lubrication requirements

Tractive Effort

- 27,661 (123kN)

Travel speed on flat, level surface—mph (km/hr):

| | Creep Mode | Standard Mode |
|--------------------|--------------------|---------------------|
| First Gear | 1.8 mph (2.9 kmh) | 5.7 mph (9.2 kmh) |
| Second Gear | 6.3 mph (10.1 kmh) | 20.0 mph (32.2 kmh) |

Swing

- Priority swing circuit with axial piston motor
- Planetary transmission

Swing speed: 7.0 rpm

Swing Brake

- Automatic spring-set/hydraulic release wet disc parking brake
- Dynamic braking provided by the hydraulic system

Function Forces

Rated Bucket Breakout Force:

25,405 lbs (113 kN)

Rated Boom Force: 24,941 lbs (111 kN)

Weight

- Approximate working weight with standard rail gear, fuel tank half full
- 55,200 lbs (25,038 kg)

Rail Gear

Guide wheel rail gear system allows the excavator to be propelled by the drive system of the machine.

- DMF 1650 (50,000 lbs. each) Hi-Rail axle assemblies
- Frame assemblies are pinned on for easy installation and removal
- 16" guide wheels (custom profile available)
- High-strength alloy steel axles
- Wheel brakes work in conjunction with excavator braking system
- Front and rear axles have 3" slotted suspension
- Hi-Rail gear controlled from operator cab
- Rail sweeps front and rear
- Tow bar plates front and rear
- Steering lock
- Rail gear cylinder guards

GRADALL XL 5330 V Lift Capacity on Rails with foam filled 10:00-20 dual STD counterweight Over Side or End - LBS (Kg)

| LOAD POINT HEIGHT | | LOAD RADIUS | | | | | | | | | | | | | | | | | | Max. Radius | | | | | | | |
|--------------------|----------------------------|----------------|-------------|-------------|-------------|----------------|--------------|--------------|--------------|----------------|--------------|--------------|-------------|----------------|-------------|-------------|-------------|----------------|---------------|-------------|-------------|-------------|---------------|---------------|-------------|-------------|-------------|
| | | 10' 0" (3.0 m) | | | | 15' 0" (4.6 m) | | | | 20' 0" (6.1 m) | | | | 25' 0" (7.6 m) | | | | | | | | | | | | | |
| | | On Tires | | On Rails | | On Tires | | On Rails | | On Tires | | On Rails | | On Tires | | On Rails | | On Tires | | | On Rails | | | | | | |
| | | Over End | Over Side | Over End | Over Side | Over End | Over Side | Over End | Over Side | Over End | Over Side | Over End | Over Side | Over End | Over Side | Over End | Over Side | Over End | Over Side | | Over End | Over Side | | | | | |
| Above Ground Level | 20' (6.1 m) | | | | | | | | | | | | | | 5900 (2675) | 5900 (2675) | 5900 (2675) | 5770 (2615) | 27'3" (8.3 m) | 5270 (2390) | 5270 (2390) | 5270 (2390) | 5010 (2270) | | | | |
| | 15' (4.6 m) | | | | | 12730 (5775) | 12730 (5775) | 12730 (5775) | 12330 (5595) | 9045 (4105) | 9045 (4105) | 9045 (4105) | 8070 (3660) | 6725 (3050) | 6725 (3050) | 6725 (3050) | 5700 (2585) | 29'4" (8.9 m) | 5320 (2415) | 5320 (2415) | 5320 (2415) | 4360 (1980) | | | | | |
| | 10' (3.0 m) | | | | | | | | | 10180 (4620) | 10180 (4620) | 10180 (4620) | 7920 (3590) | 7375 (3345) | 7375 (3345) | 7375 (3345) | 5600 (2540) | 30'5" (9.3 m) | 5430 (2465) | 5430 (2465) | 5430 (2465) | 4020 (1825) | | | | | |
| | BOOM LEVEL 8'6" (2.6 m) | | | | | | | | | 10405 (4720) | 10405 (4720) | 10405 (4720) | 7860 (3590) | 7510 (3405) | 7510 (3405) | 7510 (3405) | 5565 (2525) | 30'7" (9.3 m) | 5470 (2480) | 5470 (2480) | 5470 (2480) | 3960 (1795) | | | | | |
| | 5' (1.5 m) | | | | | | | | | 10625 (4820) | 10625 (4820) | 10625 (4820) | 7715 (3500) | 7675 (3480) | 7675 (3480) | 7675 (3480) | 5480 (2485) | 30'7" (9.3 m) | 5580 (2530) | 5580 (2530) | 5580 (2530) | 3895 (1795) | | | | | |
| At Ground Level | | | | | | | | | | 10165 (4610) | 10165 (4610) | 10165 (4610) | 7500 (3400) | 7535 (3420) | 7535 (3420) | 7535 (3420) | 5345 (2425) | 29'11" (9.1 m) | 5760 (2615) | 5760 (2615) | 5760 (2615) | 3965 (1800) | | | | | |
| Below Ground Level | 5' (1.5 m) | | | | | 11520 (5225) | 11520 (5225) | 11520 (5225) | 10985 (4985) | 9040 (4100) | 9040 (4100) | 9040 (4100) | 7310 (3315) | 7015 (3180) | 7015 (3180) | 7015 (3180) | 5220 (2370) | 28'4" (8.6 m) | 5955 (2700) | 5955 (2700) | 5955 (2700) | 4270 (1935) | | | | | |
| | 15' (4.6 m) | 8825 (4005) | 8825 (4005) | 8825 (4005) | 8825 (4005) | 8980 (4075) | 8980 (4075) | 8980 (4075) | 8980 (4075) | 7670 (3480) | 7670 (3480) | 7670 (3480) | 7170 (3250) | 6265 (2840) | 6265 (2840) | 6265 (2840) | 5115 (2320) | 25'6" (7.8 m) | 6125 (2780) | 6125 (2780) | 6125 (2780) | 4950 (2245) | | | | | |
| | 10' (3.0 m) | 6085 (2760) | 6085 (2760) | 6085 (2760) | 6085 (2760) | 6930 (3145) | 6930 (3145) | 6930 (3145) | 6930 (3145) | 6345 (2880) | 6345 (2880) | 6345 (2880) | 6345 (2880) | | | | | | | | | | 21'1" (6.4 m) | 6155 (2790) | 6155 (2790) | 6155 (2790) | 6155 (2790) |
| | 20' (6.1 m) | | | | | | | | | | | | | | | | | | | | | | | 13'3" (4.0 m) | 5180 (2350) | 5180 (2350) | 5180 (2350) |

NOTE: The above loads are in compliance with the SAE standard J1097 DEC2005. They do not exceed 87% of hydraulic lifting capacity or 75% of tipping capacity.

The rated lift capacity is based on the machine being equipped with 8,850 lb (4014 kg) counterweight, standard boom, standard tires, no auxiliary hydraulics, and no bucket.

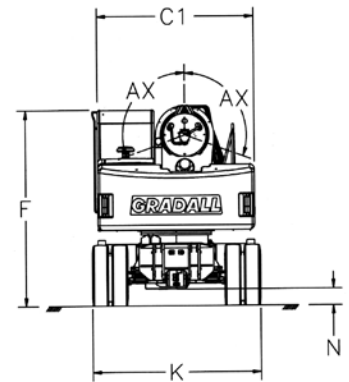
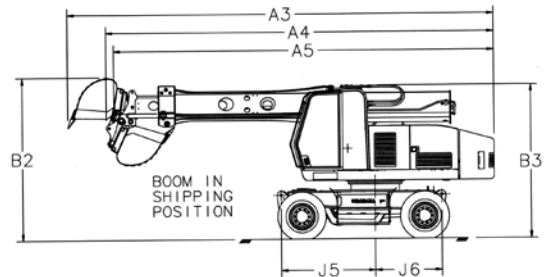
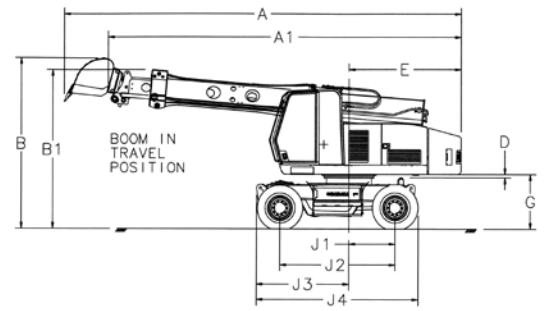
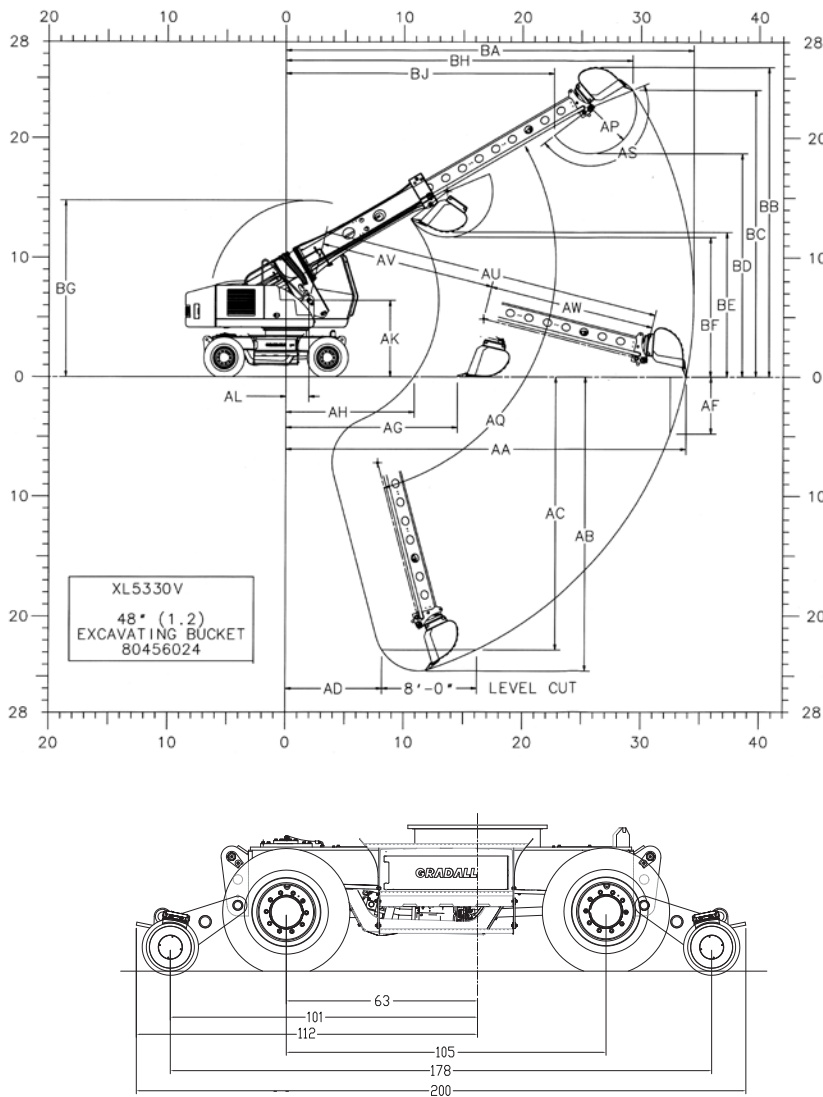
NOTE: Bucket adjustment values are 87% of the actual bucket weights.

The load point is located on the bucket pivot point, including loads listed for maximum radius.

Do not attempt to lift or hold any load greater than these rated values at specified load radii and heights. The weight of slings and any auxiliary devices must be deducted from the rated load to determine the net load that may be lifted.

Loads shown in shaded areas indicate the load is limited by tipping rather than hydraulic lift capacity.

ATTENTION: All rated loads are based on the machine being stationary and level on a firm supporting surface. The user must make allowance for particular job conditions such as soft or uneven ground, out of level conditions, side loads, hazardous conditions, experience of personnel, etc. The operator and other personnel must read and understand the operator manual before operating this machine. Rules for safe operation of equipment must be adhered to at all times.



Dimensions

- A** Overall length with bucket open (travel position): 30'2" (9.2)
- A1** Overall length without bucket (travel position): 26'10" (8.2)
- A3** Overall length with bucket open (shipment position): 30'5" (9.3)
- A4** Overall length with bucket closed (shipment position): 27'8" (8.4)
- A5** Overall length without bucket (shipment position): 27'2" (8.3)
- B** Overall height with bucket open (travel position): 12'11" (3.9)
- B1** Overall height without bucket (travel position): 12'0" (3.7)
- B2** Overall height with bucket open (shipment position): 11'6" (3.5)
- B3** Overall height without bucket (shipment position): 10'11" (3.3)
- C1** Width of upperstructure: 8'6" (2.6)
- D** Minimum clearance, upperstructure to undercarriage: 6" (156)
- E** Swing clearance, rear of upperstructure: 8'6" (2.6)
- F** Top of cab to groundline: 10'7" (3.2)
- G** Clearance, upperstructure to groundline: 4'2" (1.3)
- J1** Axis of rotation to centerline of fixed axle: 3'6" (1.1)
- J2** Wheelbase of undercarriage: 8'9" (2.7)
- J3** Axis of rotation to front of undercarriage: 7'0" (2.1)
- J4** Nominal overall length of undercarriage: 12'3" (3.7)
- J5** Axis of rotation to front option attachment pin: 6'9" (2.1)
- J6** Axis of rotation to rear option attachment pin: 4'9" (1.4)
- K** Overall width undercarriage 8'6" (2.0)
- N** Ground clearance (per SAE J1234): 11" (275 mm)
- AA** Maximum radius at groundline: 33'10" (10.3)
- AB** Maximum digging depth: 24'7" (7.5)
- AC** Maximum depth for 8' level cut: 22'10" (7.0)
- AD** Minimum radius of 8' level cut at depth "AC": 8'2" (2.5)
- AF** Maximum depth of vertical wall which can be excavated: 4'9" (1.5)
- AG** Minimum level cut radius with bucket flat on groundline: 14'5" (4.4)
- AH** Minimum radius at groundline: 10'10" (3.3)
- AK** Boom pivot to groundline: 6'5" (2.0)
- AL** Boom pivot to axis of rotation: 1'11" (585 mm)
- AP** Bucket tooth radius: 3'10" (1.2)
- AQ** Boom pivot angle: 30° up and 75° dn
- AS** Bucket pivot angle: 165°
- AU** Maximum telescoping boom length (boom pivot to bucket pivot): 28'8" (8.7)
- AV** Minimum telescoping boom length (boom pivot to bucket pivot): 14'8" (4.5)
- AW** Telescoping boom travel: 14'0" (4.3)
- AX** Bucket tilt angle (both sides of center): 110°
- BA** Maximum radius of working equipment: 34'5" (10.5)
- BB** Maximum height of working equipment: 25'11" (7.9)
- BC** Maximum bucket tooth height: 24'0" (7.3)
- BD** Minimum clearance of bucket teeth, with bucket pivot at maximum height: 18'8" (5.7)
- BE** Minimum clearance of fully curled bucket at maximum boom height: 12'2" (3.7)
- BF** Minimum clearance of bucket teeth at maximum boom height: 11'8" (3.6)
- BG** Maximum height of working equipment with bucket below groundline: 14'9" (4.5)
- BH** Radius of bucket teeth at maximum height: 29'3" (8.9)
- BJ** Minimum radius of bucket teeth at maximum bucket pivot height: 22'8" (6.9)

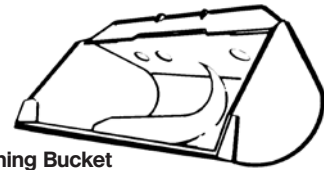
Specifications subject to change without notice.
Metric units are meters (m) unless noted.
Machines shown may have optional equipment.

Optional Equipment

- Vandalism protection kit including window covers
- ROPS protective cab

Attachments

- Quick change and reversible buckets fabricated using steel plate with high strength, low alloy cutting edges and wear strips
- Standard attachments available for wide range of applications
- Capacities shown are in heaped cubic yard
- Excavating Buckets
- Ditching Buckets
- Boom Extensions
- Tree Limb Shear
- Fixed Thumb Grapple
- Sleeper Changer
- Sleeper Layer
- Ballast Tamper
- Ballast Bucket
- Ballast Broom
- Ballast Blade
- Flail Mower
- Kinshofer NOX Rotator



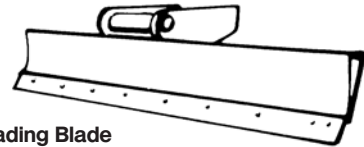
Ditching Bucket

| | | |
|-----------|-------------|--------------------|
| 8065-6007 | 60" (1.5 m) | 807 lbs. (366 kg) |
| 8065-6006 | 66" (1.7 m) | 892 lbs. (405 kg) |
| 8065-6118 | 72" (1.6 m) | 1148 lbs. (521 kg) |



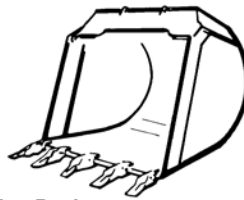
Dredging Bucket

| | | |
|-----------|-------------|-------------------|
| 8065-6013 | 72" (1.8 m) | 1114 lbs (505 kg) |
|-----------|-------------|-------------------|



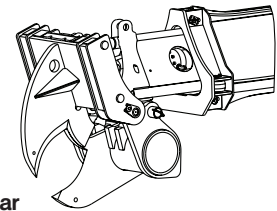
Grading Blade

| | | |
|-----------|------------|------------------|
| 8065-6024 | 8' (2.4 m) | 630 lbs (285 kg) |
|-----------|------------|------------------|



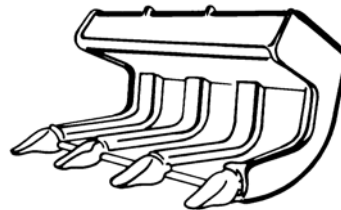
Excavating Bucket

| | | |
|-----------|--------------|------------------|
| 8045-6020 | 24" (610 mm) | 603 lbs (274 kg) |
| 8045-6021 | 30" (762 mm) | 660 lbs (300 kg) |
| 8045-6022 | 36" (914 mm) | 741 lbs (336 kg) |
| 8045-6023 | 42" (1.1 m) | 841 lbs (382 kg) |
| 8065-6117 | 48" (1.5 m) | 959 lbs (435 kg) |



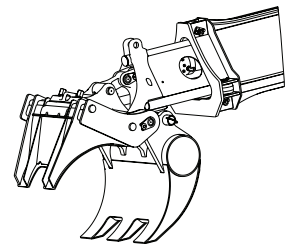
Tree Limb Shear

| | |
|-----------|--------------------|
| 8045-5052 | 1,948 lbs (884 kg) |
|-----------|--------------------|



Pavement Removal Bucket

| | | |
|-----------|-------------|-------------------|
| 8065-6102 | 40" (1.0 m) | 1262 lbs (573 kg) |
|-----------|-------------|-------------------|



Fixed Thumb Grapple

| | |
|-----------|--------------------|
| 8075-5023 | 1,574 lbs (714 kg) |
|-----------|--------------------|



Single Tooth Ripper

| | |
|-----------|------------------|
| 8065-6009 | 557 lbs (253 kg) |
|-----------|------------------|

It is Gradall Policy to continually improve its products. Therefore designs, materials and specifications are subject to change without notice and without incurring any liability on units already sold. Units shown may have optional equipment.

GRADALL®

406 Mill Ave. SW, New Philadelphia, Ohio 44663
 Phone: 330-339-2211 Fax: 330-339-8468
 www.Gradall.com



Form No. 12005 11/20
 Printed in USA